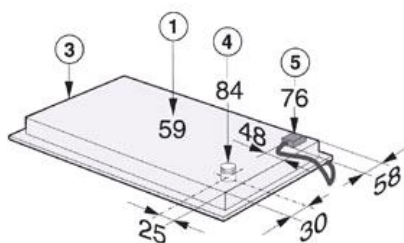
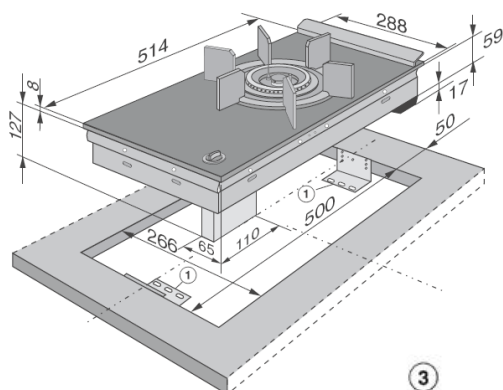


CombiSet – KM 416



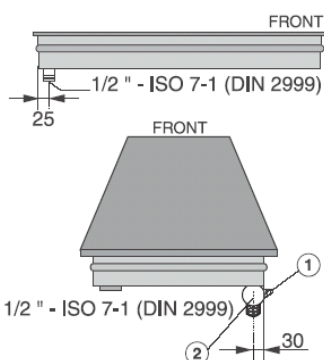
① Support bracket

① Building in height plus 3 mm for fixing screw

③ Front

④ Gas connection

⑤ Building in height - Mains connection box



① Connection for pressure gauge

② Governor fitted for connection to town gas.
Inlet pressure 10-20 mbar/1-2 kPa,
burner pressure 10 mbar/1 kPa.

Features

- Gas hob (wok)
- Single burner
- Pot rest for flat based pans or round based wok
- Trivet for smaller pan
- Electric ignition for single handed control
- Output
620 – 5700 W
- Supplied for connection to Towngas or LP-Gas

Installation requirements

- Rated load 0.025 kW
- Fuse rating 13 A
- Length of cable 1.4 m
- Without plug
- Electrical supply required
- Connection adapter/coupler from gas supply hose to appliance
- Connection pressure in mbar/kPa
Towngas 10-20 / 1-2
Liquid gas 30 / 3

Cut-out dimensions

Height:	12.7 cm
Width:	26.6 cm
Depth:	50.0 cm

Appliance dimensions

Width:	28.8 cm
Depth:	51.4 cm

Minimum safety distance

Space behind hob:	5 cm
Space to wall or tall unit at side of hob:	25 cm
Space from hob to cooker hood:	65 cm
Space from worktop to cooker hood:	71.5 cm

Due to the high temperatures radiated by the hob, it is essential that a minimum distance of 50 mm is maintained between the worktop cut-out and the back wall.